

ELKO EP, s.r.o.
 Palackého 493
 769 01 Holešov, Všetuly
 Czech Republic
 Tel.: +420 573 514 211
 e-mail: elko@elkoep.com
 www.elkoep.com

Made in Czech Republic

02-222/2016 Rev.: 2



PS

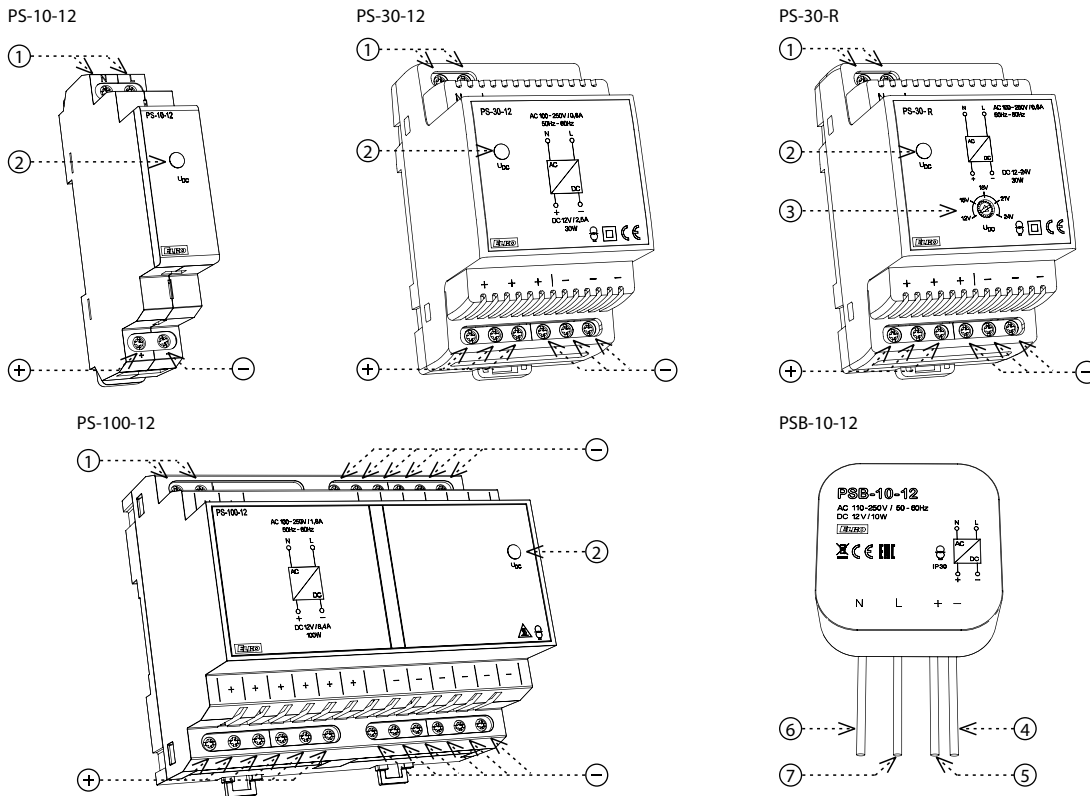
Switching power supply PS



Characteristics

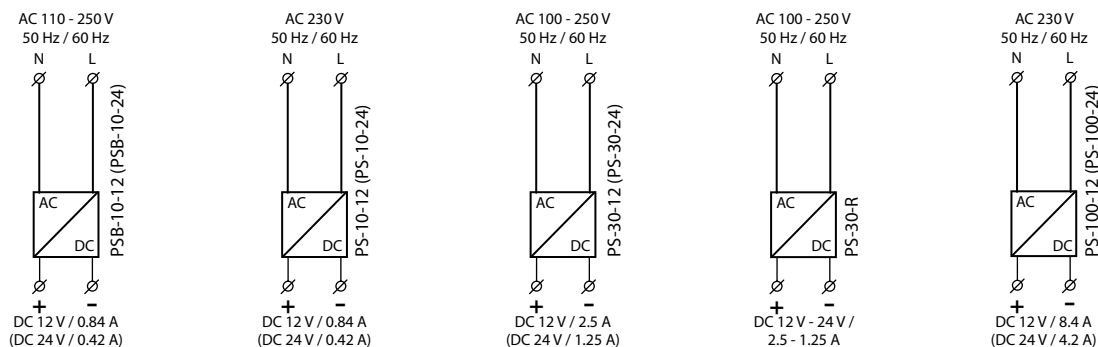
- PSB-10: switching stabilized power supplies with fixed output voltage, for mounting into an installation box
 PSB-10-12: stabilized power supply 12 V / 10 W
 PSB-10-24: stabilized power supply 24 V / 10 W
- PS-10: switching stabilized power supplies with fixed output voltage, version 1-MODULE
 PS-10-12: stabilized power supply 12 V / 10 W
 PS-10-24: stabilized power supply 24 V / 10 W
- PS-30: switching stabilized power supplies, version 3-MODULE
 PS-30-12: stabilized power supply with fixed output voltage 12 V / 30 W
 PS-30-24: stabilized power supply with fixed output voltage 24 V / 30 W
 PS-30-R: stabilized regulated power supply 12 - 24 V / 30 W
- PS-100: stabilized power supply with fixed output voltage, version 6-MODULE
 PS-100-12: stabilized power supply 12 V / 100 W
 PS-100-24: stabilized power supply 24 V / 100 W
- output current is limited by electronic fuse, in case maximal current is exceeded, the device switches off and after a short time interval it again switches on
- indication of output voltage by green LED on front panel (except PSB-10)
- temperature protection - if temperature is exceeded, the device switches off and after cooled down, it switches on again

Description



1. Supply terminals
 2. Output voltage indication
 3. Setting output voltage (only PS-R)
 4. Output voltage (-)
 5. Output voltage (+)
 6. Neutral wire
 7. Phase
- ⊕ Output voltage terminals
 ⊖ Output voltage terminals

Connection



Power supplies PS-xxx are overcurrent protection devices, because it turns power supplies off, if the output current exceeds more than 20 % of the rated output of the power supply. Therefore, these units are not intended to supply e.g. halogen lamps, because the starting / inrush current (in the cold state) is approximately ten times the amount of the steady-state operating current. So these power supplies cannot turn on such lamps.

Technical parameters

PSB-10-12 PSB-10-24 PS-10-12 PS-10-24 PS-30-12 PS-30-24 PS-30-R PS-100-12 PS-100-24

Input

Voltage range:	AC 110 - 250 V / 50 - 60 Hz	AC 184 - 250 V / 50 - 60 Hz	AC 100 - 250 V / 50 - 60 Hz			AC 100 - 250 V / 50 - 60 Hz
Burden without load (max.):	3 VA / 0.5 W	5 VA / 2 W	9 VA / 1 W	10 VA / 1.5 W	10 VA / 1.7 W	12 VA / 2 W
Burden with full load (max.):	26 VA / 13 W	25 VA / 13 W	70 VA / 37 W			195 VA / 121 W
Protection:	x	fuse T1A	fuse T2A			fuse T 3.15A

Output

Output voltage DC / max. current:	12 V / 0.84 A	24 V / 0.42 A	12.2 V / 0.84 A	24.2 V / 0.42 A	12.2 V / 2.5 A	24.2 V / 1.25 A	12.2 V / 2.5 A	24.2 V / 1.25 A	12.2 V / 8.4 A	24.2 V / 4.2 A
Tolerance of output voltage:	± 2 %		± 2 %		± 2 %		± 3 %		± 2 %	
Output indication:	x		green LED							
Wave of off-load output voltage:	40 mV		80 mV		30 mV		40 mV		1 V	
Wave of output voltage with max load:	380 mV		20 mV		80 mV		500 mV		40 mV	
Time delay after connection:	max. 1s		max. 1s		max. 5s		max. 1s		max. 3s	
Time delay after over-load:	max. 1s		max. 1s		max. 1s				max. 0.5s	
Efficiency:	> 75 %		> 75 %		> 82 %		> 81 %		> 82 %	
Electronic fuse:	electronic protections short-circuit, over load, over voltage (from 120 % of rated output)									

Other information

Working humidity:	20 .. 90 % RH									
Operating temperature:	-20 .. 40 °C									
Storage temperature:	-40 .. 85 °C		-40 .. 85 °C		-25 .. 70 °C			-40 .. 85 °C		
Electrical strength input-output:	4 kV									
Protection degree:	IP30		IP40 from front panel / IP20 terminals							
Overvoltage category:	II.									
Polution degree:	2									
Max. cable size (mm ²):	x		solid wire max. 1x 2.5, max. 2x 1.5 / with sleeve max. 1x 1.5 (AWG 12)							
Connection wires (cross-section / lenght):	solid wire CY, 4x 0.75 mm ² (AWG 18) / 90 mm (3.5")		x							
Dimensions:	49 x 49 x 21 mm (1.9 x 1.9 x 0.8")		90 x 17.6 x 64 mm (3.5x 0.7x 2.5")		90 x 52 x 65 mm (3.5 x 2.1 x 2.6")			90 x 105 x 65 mm (3.5x 4.1x 2.6")		
Weight:	78 g (2.6 oz)		65 g (2.3 oz.)		160 g (5.6 oz.)	160 g (5.6 oz.)	163 g (5.8 oz.)	377 g (13.3 oz.)		
Standards:	EN 61204-1, EN 61204-3, EN 61204-7									

Warning

Device is constructed for connection for 1-phase main alternating -current voltage and must be installed according to norms valid in existing state. Connection according to the details in this direction. Installation, connection, setting and servicing should be installed by qualified electrician staff only, who learn this instruction and functions of device. For right device protection should be fronted-end certain element. Before starting installation must be main switch in position "SWITCH OFF" and device should be out of voltage. Don't install device to suppliers surcharge electro-magnetic interference. By right installation of device is provide good air circulate to don't pass maximal operating temperature, in case of higher ambient temperature and permanent working. For installation and setting use screw-driver cca 2 mm. The device is full-electronic - installation should be effected according to this. Function without problems is too dependent on previous type of transportation, storing and manipulation. In case of any vestige of destruction, deformation, non-function or missing part, don't install and made claim to seller. Product may be, after passing operating time, disassembled, recycled or puted on protected tip.