

| Technical parameters | RFSAI-62B/230V | RFSAI-62B/120V |
|---------------------------|-----------------|----------------|
| Supply voltage: | 230 V AC | 120 V AC |
| Supply voltage frequency: | 50–60 Hz | 60 Hz |
| Apparent power: | 7 VA/cos φ= 0.1 | |
| Dissipated power: | 0.7 W | |
| Supply voltage tolerance: | +10 %; -15 % | |

Output

| | |
|--------------------------------|------------------------------------|
| Number of contacts: | 2x switching (AgSnO ₂) |
| Rated current: | 8 A/AC1 |
| Switching power: | 2000 VA/AC1, 192 W/DC |
| Peak current: | 10 A/<3 s |
| Switching voltage: | 250 V AC1/24 V DC |
| Min. switching power DC: | 500 mW |
| Mechanical service life: | 1x10 ⁷ |
| Electrical service life (AC1): | 1x10 ⁵ |

Controlling

| | |
|-------------------------|---|
| Wireless: | each of the outputs up to 12-channels (buttons) |
| Communication protocol: | RFIO2 |
| Frequency: | 866–922 MHz (for more information see p. 76) |
| Repeater function: | yes |
| Manual control: | button PROG (ON/OFF) |
| External button: | max. 12 m wire ⚠* |
| Range: | in open space up to 200 m |

Other data

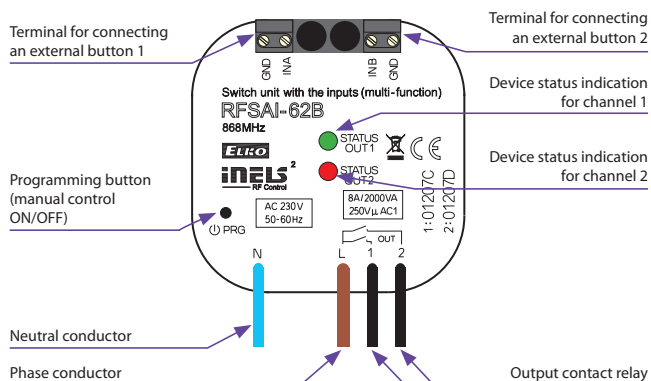
| | |
|---|--|
| Voltage of open contact: | 2.5 V |
| Resist. of connection for closed contact: | <1 kΩ |
| Resist. of connection for open contact: | >10 kΩ |
| Galvanic isolation of input: | no ⚠ |
| Operating temperature: | -15 to +50 °C |
| Working position: | any |
| Mounting: | free at lead-in wires |
| Protection: | IP30 |
| Overvoltage category: | III. |
| Contamination degree: | 2 |
| Terminals (CY wire, Cross-section): | 3x 0.75, 1x 2.5 mm ² |
| Terminal length: | 90 mm |
| Dimensions: | 49 x 49 x 21 mm |
| Weight: | 46 g |
| Related standards: | EN 60669, EN 300220, EN 301489 R&TTE Directive, Order. No 426/2000 Coll. (Directive 1999/EC) |

* We recommend using a twisted pair cable for this distance.

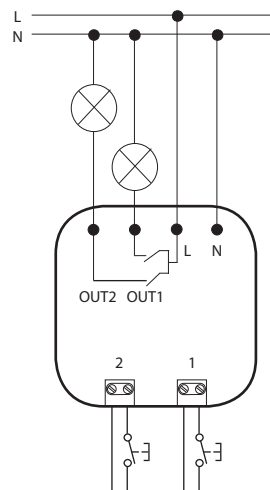
⚠ The external button inputs are at the potential of the main supply voltage.

- The switch with 2 output 8 A contacts is used to control 2 independent appliances. Is equipped with inputs for connecting to external buttons for local control.
- They can be combined with detectors, controllers, iNELS RF Control or system components.
- Function: button, impulse relay and time function of delayed start or return with time setting range of 2 s – 60 min. It is possible to assign any function to each output relay. Function description can be found on page 74.
- External button is programmed as a wireless button.
- Input is not galvanic isolated!
- Each output can be controlled by up to 12-channels.
- Memory status can be pre-set in the event of a power failure.
- Range up to 200 m (in open space), if the signal is insufficient between the controller and unit, use the signal repeater RFRP-20 or protocol component RFIO2 that support this feature.
- Communication frequency with bidirectional protocol RFIO2.
- The BOX design lets you mount it right in an installation box, a ceiling or controlled appliance cover.

Device description

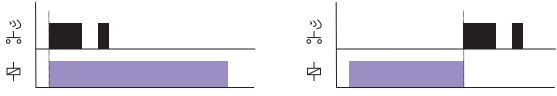


Connection



Single function - RFSA-11B

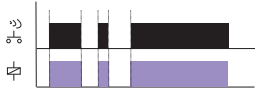
Function button ON/OFF



The output contact closes by pressing one button position, and opens by pressing the other button position.

Multi function - RFSA-61B, RFSA-62B, RFSA-61M, RFSA-66M, RFSAI-61B, RFSAI-62B, RFSC-61, RFUS-61

Function 1 - button



The output contact will be closed by pressing the button and opened by releasing the button.

Function 2 - switch on



The output contact will be closed by pressing the button.

Function 3 - switch off



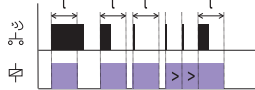
The output contact will be opened by pressing the button.

Function 4 - impulse relay



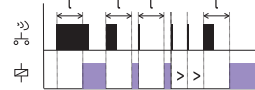
The output contact will be switched to the opposite position by each press of the button. If the contact was closed, it will be opened and vice versa.

Function 5 - delayed off



The output contact will be closed by pressing the button and opened after the set time interval has elapsed.
t = 2 s to 60 min.

Function 6 - delayed on



The output contact will be opened by pressing the button and closed after the set time interval has elapsed.
t = 2 s to 60 min.

Loadability products

RFJA-32B; RFSA-62B; RFSAI-62B; RFSA-66M

| | | | | | | | | | |
|---|-----------------------|-----------|-----------|---------------------------|------------------------|----------|-----------|-----------|-----------|
| Load type | $\cos \phi \geq 0.95$ | | | | | | | | |
| | AC1 | AC2 | AC3 | AC5a without compensation | AC5a with compensation | AC5b | AC6a | AC7b | AC12 |
| Contact material AgSnO ₂ Contact 8 A | 250 V/8 A | 250 V/5 A | 250 V/4 A | x | x | 250 W | 250 V/4 A | 250 V/1 A | 250 V/1 A |
| Load type | | | | | | | | | |
| | AC13 | AC14 | AC15 | DC1 | DC3 | DC5 | DC12 | DC13 | DC14 |
| Contact material AgSnO ₂ Contact 8 A | x | 250 V/4 A | 250 V/3 A | 30 V/8 A | 24 V/3 A | 30 V/2 A | 30 V/8 A | 30 V/2 A | x |

RFUS-61

| | | | | | | | | | |
|--|-----------------------|-----------|-----------|---------------------------|---|----------|----------|-----------|------|
| Load type | $\cos \phi \geq 0.95$ | | | | | | | | |
| | AC1 | AC2 | AC3 | AC5a without compensation | AC5a with compensation | AC5b | AC6a | AC7b | AC12 |
| Contact material AgSnO ₂ Contact 14 A | 250 V/12 A | 250 V/5 A | 250 V/3 A | 230 V/3 A (690 VA) | 230 V/3 A (690 VA) up to max input C=14uF | 1000 W | x | 250 V/3 A | x |
| Load type | | | | | | | | | |
| | AC13 | AC14 | AC15 | DC1 | DC3 | DC5 | DC12 | DC13 | DC14 |
| Contact material AgSnO ₂ Contact 14 A | x | 250 V/6 A | 250 V/6 A | 24 V/10 A | 24 V/3 A | 24 V/2 A | 24 V/6 A | 24 V/2 A | x |

RFSA-11B; RFSA-61B; RFSA-61M; RFSC-61; RFSTI-11B; RFDAC-71B

| | | | | | | | | | |
|--|-----------------------|-----------|-----------|---------------------------|---|----------|----------|-----------|------------|
| Load type | $\cos \phi \geq 0.95$ | | | | | | | | |
| | AC1 | AC2 | AC3 | AC5a without compensation | AC5a with compensation | AC5b | AC6a | AC7b | AC12 |
| Contact material AgSnO ₂ Contact 16 A | 250 V/16 A | 250 V/5 A | 250 V/3 A | 230 V/3 A (690 VA) | 230 V/3 A (690 VA) up to max input C=14uF | 1000 W | x | 250 V/3 A | 250 V/10 A |
| Load type | | | | | | | | | |
| | AC13 | AC14 | AC15 | DC1 | DC3 | DC5 | DC12 | DC13 | DC14 |
| Contact material AgSnO ₂ Contact 16 A | x | 250 V/6 A | 250 V/6 A | 24 V/10 A | 24 V/3 A | 24 V/2 A | 24 V/6 A | 24 V/2 A | x |